

2-150-S Standard trigger hooks (set)



DESCRIPTION

The set of three standard pullers is suitable for 3-arm universal pullers. The robust pullers guarantee particularly safe pulling of bearings, gears and discs.

RANGE OF APPLICATION

As a spare part for particularly safe removal of bearings, gears and washers.

BENEFIT

OPERATION

MASTER DATA

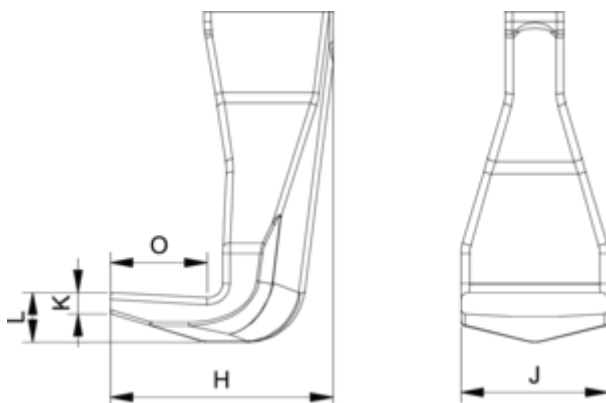
GTIN	4021176002571
Country of origin	DE
Material	Tool steel
Series	0-S
Net weight [kg]	1,84 kg
Gross weight [kg]	
Package contents	1 set
Packaging Act	PAP 21

Standard trigger hooks (set)



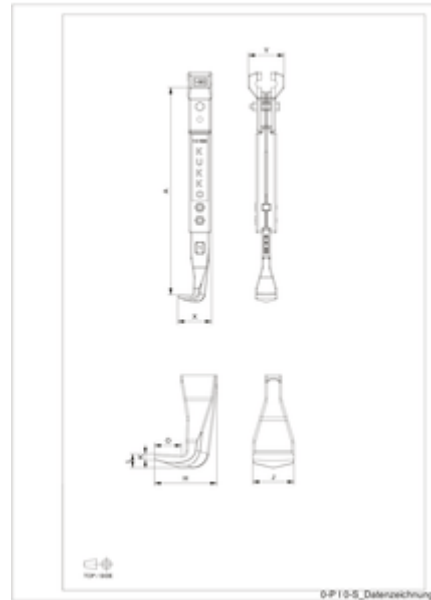
Abbreviation	Attribut	Wert
X	Total width [mm]	
Y	Total depth [mm]	
A	Clamping depth outside pull-off [mm]	
K	Hook root thickness at the tip (claw thickness K) [mm]	4 mm
J	Hook base width (claw width J) [mm]	24 mm
O	Hook base depth usable (claw depth usable O) [mm]	18 mm
H	Total hook root depth (total claw depth H) [mm]	40 mm
L	Total claw thickness (L+1mm) (claw distance to base) [mm]	9 mm
Z	Total length [mm]	150 mm

Abbreviation	Attribut	Wert
X	Total width [mm]	
Y	Total depth [mm]	
A	Clamping depth outside pull-off [mm]	
K	Hook root thickness at the tip (claw thickness K) [mm]	4 mm
J	Hook base width (claw width J) [mm]	24 mm
O	Hook base depth usable (claw depth usable O) [mm]	18 mm
H	Total hook root depth (total claw depth H) [mm]	40 mm
L	Total claw thickness (L+1mm) (claw distance to base) [mm]	9 mm
Z	Total length [mm]	150 mm



Abbreviation	Attribut	Wert
X	Total width [mm]	
Y	Total depth [mm]	
A	Clamping depth outside pull-off [mm]	

K	Hook root thickness at the tip (claw thickness K) [mm]	4 mm
J	Hook base width (claw width J) [mm]	24 mm
O	Hook base depth usable (claw depth usable O) [mm]	18 mm
H	Total hook root depth (total claw depth H) [mm]	40 mm
L	Total claw thickness (L+1mm) (claw distance to base) [mm]	9 mm
Z	Total length [mm]	150 mm



Abbreviation	Attribut	Wert
X	Total width [mm]	
Y	Total depth [mm]	
A	Clamping depth outside pull-off [mm]	
K	Hook root thickness at the tip (claw thickness K) [mm]	4 mm
J	Hook base width (claw width J) [mm]	24 mm
O	Hook base depth usable (claw depth usable O) [mm]	18 mm
H	Total hook root depth (total claw depth H) [mm]	40 mm
L	Total claw thickness (L+1mm) (claw distance to base) [mm]	9 mm
Z	Total length [mm]	150 mm