

Product name

2-jaw puller

For removing bearings, gears, discs, etc.

Art. No. 20-20

Series 20

EAN 4021176010088



	Technical attribute	Metric	Imperial
	Spread	40 - 200 mm	1 5/8 - 7 7/8 inch
	Depth	150 mm	5 7/8 inch
	Spread used internal	100 - 260 mm	3 7/8 - 10 1/4 inch
	Hexagon drive (male)	22 mm	
	Maximum load	6,0 t	6.5 US t
	Maximum torque	150 Nm	110.5 ft lb
	Number of jaws	2	2
	Weight	3.22 kg	
	Space below	9 mm	3/8 inch
	Space next to it	40 mm	1 5/8 inch



Technologies



SWITCH

A two-sided spindle tip provides optimal adjustment of the spindle to the shaft.



GLIDE & FIX

The improved geometry guarantees quick and easy movement of the jaws on the cross-beam.



ARMLOCK

The cross-legged jaws guarantee maximum stability for suspending the jaws in the slider.



Spare part

Art. No.	Product name
621220	Mechanical pressure spindle.
2-150-P	2 pulling jaws (pair)
20-20-T	2-jaw cross bar

Accessories

Art. No.	Product name
8-01	Long hydraulic spindle
2-300-P	2 extended jaws (pair)
2-V-150-P	2 jaw extensions (pair)
2-150-E	Jaw with extension (indiv.)
30-20-T3	3-jaw cross bar
K-600-025	Set of interchangeable pressure pads for KUKKO pressure screws



Can be used alternatively with

Art. No.	Product name
2-151-P	2 narrow jaws (pair)
2-301-P	2 narrow jaws (pair)
2-152-P	2 quick adjusting jaws (pair)
2-302-P	2 quick adjusting jaws (pair)
2-153-P	2 narrow, quick adjusting jaws (pair)
2-303-P	2 narrow, quick adjusting jaws (pair)

Part of

Art. No.	Product name
WT-008	Puller product range - commercial vehicles - BASIC
30-20-T	Puller product range - industrial - BASIC
20-ST	Sales display for 2-jaw pullers

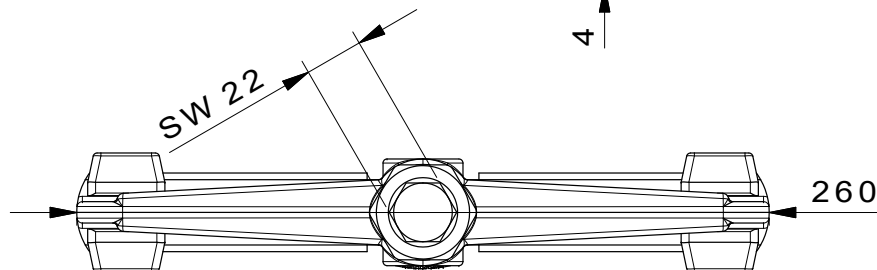
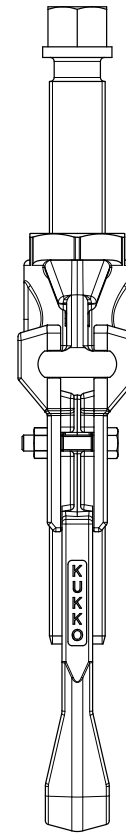
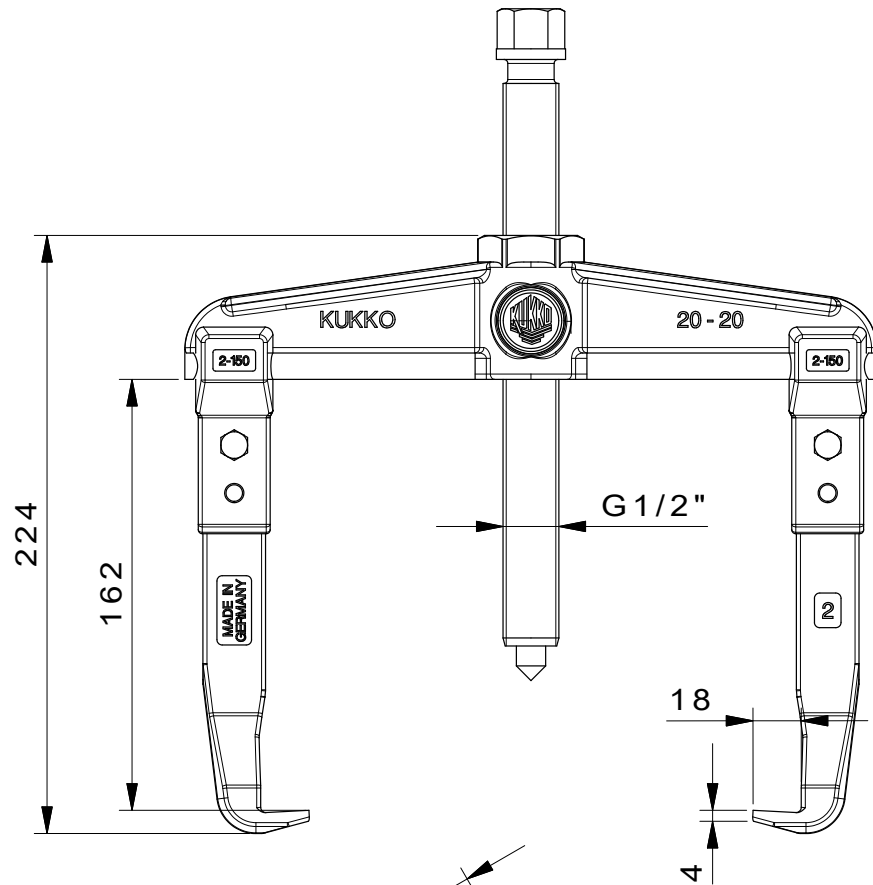
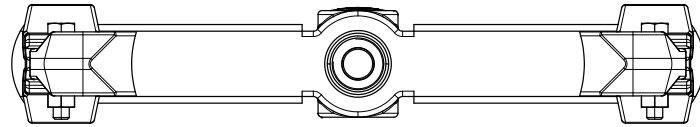


Spare part of

Art. No.	Product name
WT-008	Puller product range - commercial vehicles - BASIC
20-ST	Sales display for 2-jaw pullers

Also included in

Art. No.	Product name
WT-008	Puller product range - commercial vehicles - BASIC
30-20-T	Puller product range - industrial - BASIC
K-2030-20-B	Universal hydraulic 2-jaw and 3-jaw puller set
K-2030-20	Set of universal 2- and 3-jaw pullers



	Kleinbongartz & Kaiser oHG Werkzeugfabrik Hilden - Germany	Dokumentname: 20-20_2-Arm-Universal_Abzieher	Toleranz: DIN ISO 2768-m
	Dokumentbeschreibung: Baugruppe	Erweit. / Geprüft von: Schultes	Material: Hoch legierter Werkzeugstahl / High alloy tool steel
Teilbeschreibung: 2-Arm-Universal_Abzieher/ 2-jaw puller	Zeichnungsdatum: 30/03/2015	Maßstab: 1:1	Wärmebehandlung / Härte: vergüteter Stahl/ tempered steel
Artikelnummer / ZNR: 20-20	Dokumentversion: -	Schutzvermerk: ISO 16949 beachten	